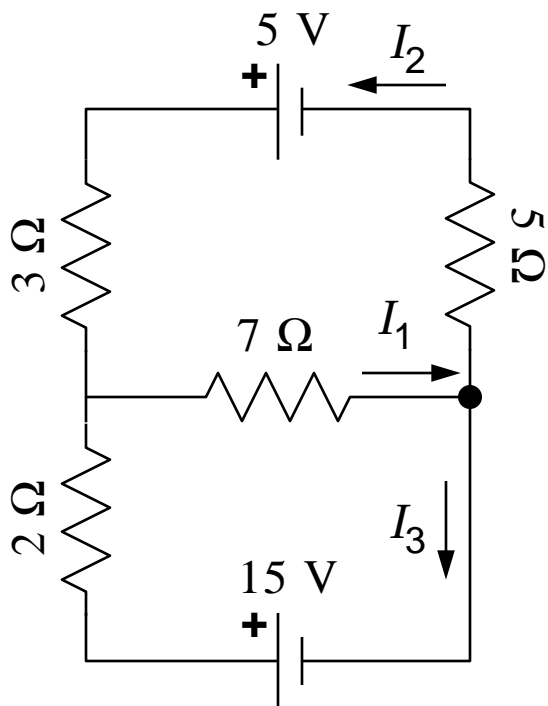


Directly on the below circuit diagram draw and label two loops. Write down (and label) the Kirchhoff loop equation for each of your two loops. For the junction displayed below as ● write down the Kirchhoff junction equation using the displayed names/directions. Solve the resulting equations. IF you use `rref`, please write down the matrix you entered into your calculator



Directly on the below circuit diagram draw and label two loops. Write down (and label) the Kirchhoff loop equation for each of your two loops. For the junction displayed below as ● write down the Kirchhoff junction equation using the displayed names/directions. Solve the resulting equations. IF you use `rref`, please write down the matrix you entered into your calculator

